

CONTEMPORARY 10" ROUND SHOWERHEAD



- Clean, modern design
- 1/2" NPT
- Brass Construction
- Showerhead can pivot
- Easy clean rubber nozzles
- Maximum showerhead flow rate: 2.5 gpm (9.5 L/min)

CODES AND STANDARDS

Meets or Exceeds ASME A112.18.1/ CSA B125.1

AVAILABLE FINISHES

Polished Chrome
Brushed Nickel
Platinum Nickel

FINISH CODE

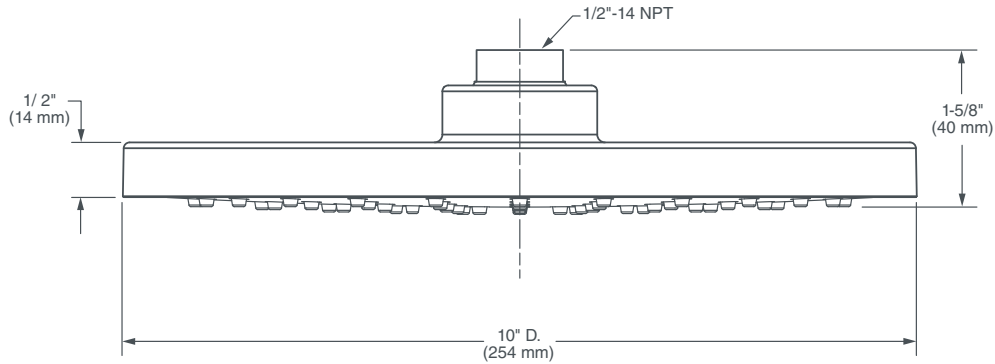
100
144
150

DESCRIPTION

10" Contemporary
Round Showerhead

PRODUCT NUMBER

D35700210.XXX



IMPORTANT: These measurements are subject to change or cancellation. No responsibility is assumed for use of superseded or voided pages.